

## ORP Controller with Matching Pin and PID Control



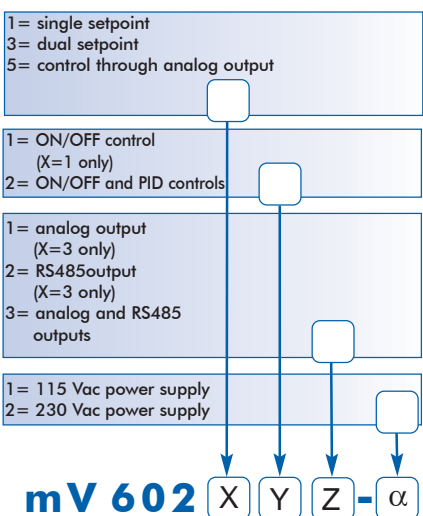
The mV 602 line of microprocessor controllers have been engineered to incorporate ease of use with a powerful set of features. These robust instruments can be configured to utilize P, PI or PID controlling. This means you don't need to choose from three separate instruments that only allow one configuration.

The mV 602 line includes models that incorporate control through analog output to drive compatible devices such as electrovalves or pumps. Several models feature bidirectional RS485 to allow remote operation with a PC as well as analog recorder output. The fully programmable microprocessor memory has a 3 month backup power supply. The Fail Safe Alarm system protects against power interruption or line failure. Use of a Solid State Relay has been included to meet the needs of extreme industrial applications.

All models incorporate a differential input so a grounding bar may be attached, extending the life of the electrodes by eliminating ground loop current problems.

### Ordering Information

Each mV 602 model is supplied complete with mounting brackets and instructions.



### Specifications

mV 602	
Range	-2000 to 2000 mV; -9.9 to 120°C
Resolution	1 mV; 0.1°C
Accuracy (@20°C/68°F)	±2 mV; ±0.5°C
Input Impedance	10 <sup>12</sup> Ohm
ORP Calibration	automatic, at 0 and 350 or 1900 mV
Outputs	digital: RS485 bi-directional opto-isolated; or analog, galvanically isolated: 0-1 mA, 0-20 mA and 4-20 mA, 0-5 Vdc, 1-5 Vdc and 0-10 Vdc
Setpoint Relay	SPDT contact output, 5A-250 Vac, 5A-30 Vdc (resistive load) or Solid State Relay (SSR), 1A, 250 Vac (resistive and inductive load)
Power Supply	115 Vac ±10% or 230 Vac ±10%; 50/60 Hz
Environment	0 to 50°C (32 to 122°F); RH max 95% non-condensing
Dimensions	panel cutout: 140 x 140 mm, instrument: 144 x 144 x 170 mm
Weight	1.6 kg (3.5 lb.)

### Accessories

HI 7020L	200-275 mV test solution, 500 mL bottle	HI 7092L	Oxidizing solution, 500 mL bottle
HI 7091L	Reducing solution, 500 mL bottle	HI 8427	pH/ORP electrode simulator
		HI 931001	pH/ORP electrode simulator with display

For a complete range of process electrodes and probes, see section T2.