



## Microprocessor Conductivity and TDS Controllers with 4-ring Potentiometric Probe



The HI 700 series of regulators offer state-of-the-art specifications for your process control. They can be configured for ON/OFF, Proportional, PI or PID control. Thanks to our exclusive technology, they can be customized to best fit your application. A menu-driven display aids the user throughout the operations with running messages and clear prompts. All relevant parameters can be simply adjusted and will remain memorized until overwritten. Bright LED lights show the current status even from a distance. With self-diagnostic features and extractable terminals, installation and maintenance are rapid and simple. Password protection guarantees that the calibration and predetermined parameters cannot be altered unnecessarily. The controllers can operate with 4-ring probe or 4-20 mA signal. They accept probes with or without a built-in Pt100 temperature sensor. HI 710 monitors and controls both conductivity and TDS.

### Specifications

	HI 700	HI 710
Range	EC 0.0 to 199.9 $\mu\text{S}/\text{cm}$ ; 0 to 1999 $\mu\text{S}/\text{cm}$ 0.00 to 19.99 $\text{mS}/\text{cm}$ ; 0.0 to 199.9 $\text{mS}/\text{cm}$	TDS 0.0 to 100.0 ppm; 0 to 1000 ppm 0.00 to 10.00 ppt; 0.0 to 100.0 ppt
Resolution	0.1 $\mu\text{S}$ ; 1 $\mu\text{S}$ ; 0.01 mS; 0.1 mS; 0.1 $^{\circ}\text{C}$	0.1 ppm; 1 ppm; 0.01 ppt; 0.1 ppt
Accuracy (@20 $^{\circ}\text{C}/68^{\circ}\text{F}$ )	$\pm 0.5\%$ F.S. (EC / TDS); $\pm 0.5^{\circ}\text{C}$ (0 to 70 $^{\circ}\text{C}$ ); $\pm 1^{\circ}\text{C}$ (outside)	
EC Calibration	automatic or manual at 1 point	
Temperature Compensation	automatic (with Pt100 probe) or manual from -10 to 100 $^{\circ}\text{C}$ with B = 0.00 to 10.00%/ $^{\circ}\text{C}$	
TDS Conversion Factor	adjustable from 0.00 to 1.00	
Outputs	analog: isolated 0-1 mA, 0-20 mA and 4-20 mA; 0-5 Vdc, 1-5 Vdc and 0-10 Vdc or digital: RS485 bi-directional opto-isolated	
Analog Input	4-20 mA	
Setpoint Relay	2 contact outputs SPDT 5A-250 Vac, 5A-30 Vdc (resistive load)	
Alarm Relay	contact output SPDT 5A-250 Vac, 5A-30 Vdc (resistive load)	
Power Supply	115 Vac $\pm 10\%$ or 230 Vac $\pm 10\%$ ; 50/60 Hz	
Environment	0 to 50 $^{\circ}\text{C}$ (32 to 122 $^{\circ}\text{F}$ ); RH max 95% non-condensing	
Dimensions	panel cutout: 140 x 140 mm, instrument: 144 x 144 x 170 mm	
Weight	1.6 kg (3.5 lb.)	

### Accessories

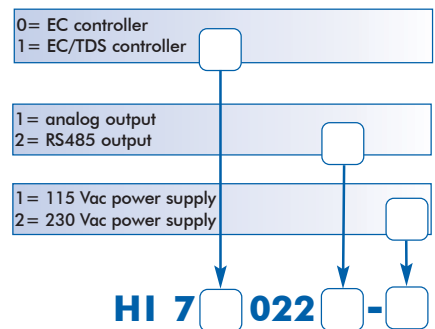
HI 504901	GSM supervisor	HI 7033L	84 $\mu\text{S}/\text{cm}$ calibration solution, 500 mL bottle
HI 7030L	12880 $\mu\text{S}/\text{cm}$ calibration solution, 500 mL bottle	HI 7034L	80000 $\mu\text{S}/\text{cm}$ calibration solution, 500 mL bottle
HI 7031L	1413 $\mu\text{S}/\text{cm}$ calibration solution, 500 mL bottle		

For a complete range of process electrodes and probes, see section T2.

### Ordering Information

Each model is supplied complete with mounting brackets and instructions.

Each model is provided with dual setpoint, ON/OFF and PID controls.



### Example:

#### HI 700221-2

EC/TDS controller with dual setpoint, ON/OFF and PID controls, analog output and 230 Vac power supply.