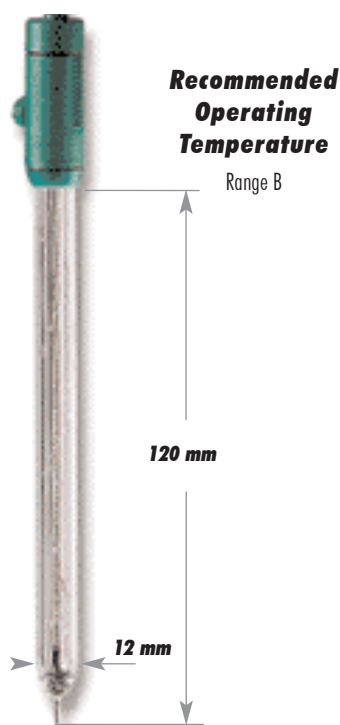


HI 3618  Connector

HI 3618  7-pin DIN



Reference

Single, Ag/AgCl

Junction

Ceramic, single

Electrolyte

KCl 3.5M + AgCl

Max Pressure

0.1 bar

Range

ORP T: -5 to 100°C (23 to 212°)

Tip

Platinum pin

Temperature Sensor

Yes

Amplifier

Yes

Body Material

Glass

Cable

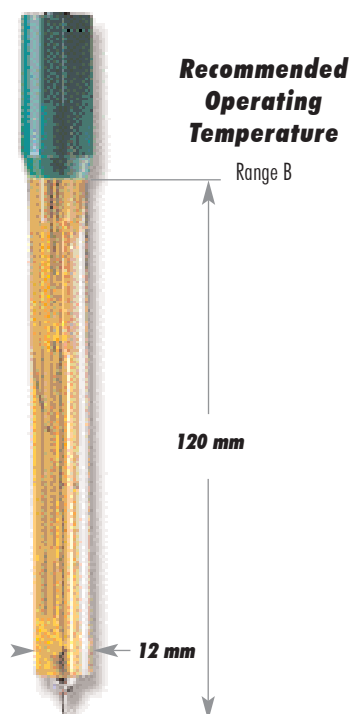
5-pole; 1 m (3.3')

Recommended Use

Laboratory

HI 3620  Connector

HI 3620  7-pin DIN



Reference

Single, Ag/AgCl

Junction

Ceramic, single

Electrolyte

Gel

Max Pressure

2 bar

Range

ORP T: 0 to 80°C (32 to 176°F)

Tip

Platinum pin

Temperature Sensor

No

Amplifier

Yes

Body Material

Ultem®

Cable

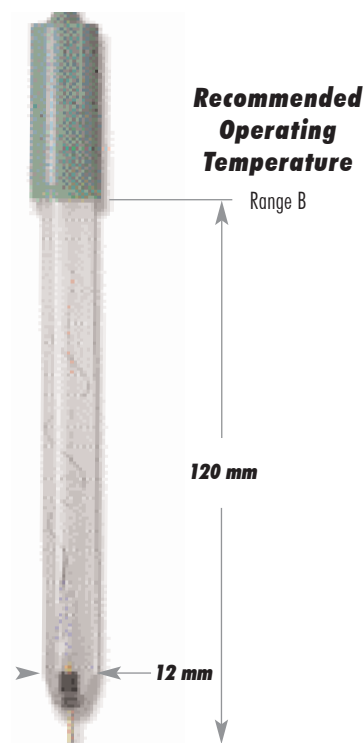
7-pole; 1 m (3.3')

Recommended Use

Field applications, swimming pools

HI 4619  Connector

HI 4619  7-pin DIN



Reference

Single, Ag/AgCl

Junction

Ceramic, single

Electrolyte

Gel

Max Pressure

2 bar

Range

ORP T: -5 to 100°C (23 to 212°)

Tip

Gold pin

Temperature Sensor

Yes

Amplifier

Yes

Body Material

Glass

Cable

5-pole; 1 m (3.3')

Recommended Use

Strong oxidants, disinfection with ozone