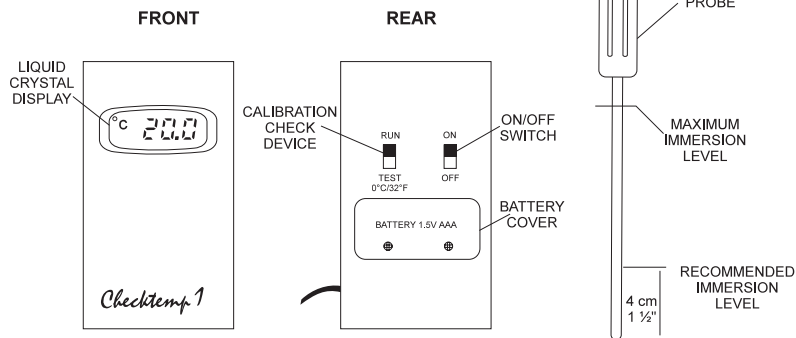


# Checktemp 1

# Checktemp 1

# Checktemp 1

- Checktemp 1 C:* Celsius Model
- Checktemp 1 C/N:* Celsius Model with Factory Calibration Certificate
- Checktemp 1 F:* Fahrenheit Model
- Checktemp 1 F/N:* Fahrenheit Model with Factory Calibration Certificate



## SPECIFICATIONS:

### Range

*Checktemp 1 C* -50.0 to 150.0°C

*Checktemp 1 F* -58.0 to 302°F

### Resolution

*Checktemp 1 C* 0.1°C

*Checktemp 1 F* 0.1°F (-58.0 to 199.9°F)

1°F (200 to 302°F)

### Accuracy (@20°C/68°F)

*Checktemp 1 C* ±0.3°C (-20 to 90°C)

±0.5°C (outside)

*Checktemp 1 F* ±0.5°F (-4 to 194°F)

±1°F (outside)

### Typical EMC Deviation

*Checktemp 1 C* ±0.3°C

*Checktemp 1 F* ±0.5°F

**Environment** 0 to 50°C (32 to 122°F);

95% RH max.

**Battery Type** 1 x 1.4V alkaline

**Life** approx. 3,000 hours  
of continuous use

**Dimensions** 106 x 58 x 19 mm

(4.2 x 2.2 x 0.7")

**Weight** 80 g (2.8 oz.)

**Probe** Stainless steel,  
160mm x 3mm Ø  
with 1 meter (3.3') cable

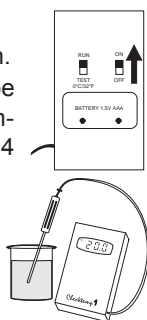
## Checktemp 1

### OPERATION:

- Turn *Checktemp 1* on.
- Dip *Checktemp 1* probe in sample. An immersion level of 4 cm (1 1/2") is recommended.
- Do NOT immerse the probe handle.
- Do NOT wrench the probe or put heavy objects on the cable. If the cable is damaged, the meter needs to be replaced.
- Wait for a few seconds for the display to stabilize and switch the meter off when not in use.
- Variations in readings or fading display can indicate a weak battery.

### CALIBRATION CHECK SWITCH:

Move the Cal-check switch down. The display should show



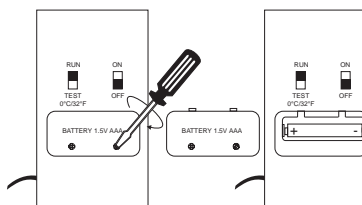
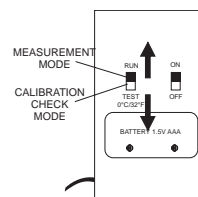
## Checktemp 1

0.0°C ±0.3°C  
or 32°F ±0.5°F.

Contact your dealer or your nearest Hanna Service Center for recalibration, if necessary. Move the Cal-check switch back up. The display returns to measurement mode.

### BATTERY REPLACEMENT:

When the *Checktemp 1* cannot be switched on or the display fades, remove the two screws, open the



## Checktemp 1

battery cover and change the 1.4V AAA battery, paying attention to its polarity. Replace the cover and tighten the two screws. Battery should only be replaced in a safe area using the battery type specified in this instruction sheet.

### SUGGESTIONS FOR USERS:

Before using this product, make sure that it is entirely suitable for the environment in which it is used. Operation of this instrument in residential areas could cause interference to radio and TV equipment. Any variation introduced by the user to the supplied equipment may degrade the instrument's EMC performance. To avoid electrical shocks, do not use this instrument when voltage at the measurement surface exceeds 24 VAC or 60 VDC. To avoid damage or burns, do not perform any measurement in microwave ovens.

Visit our Internet Home Page:  
<http://www.hannacan.com>

**HANNA**  
instruments  
ISO 9001 Certified Company

ISTRCHT1R10297