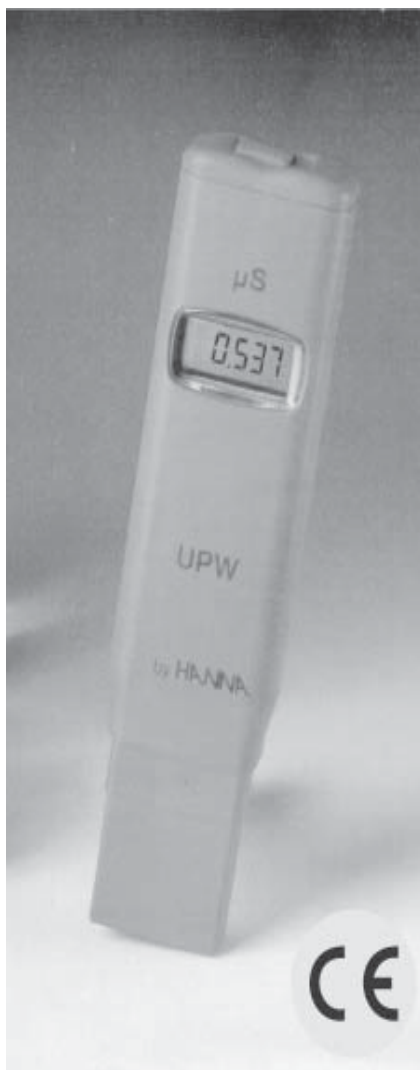


UPW

HI98309

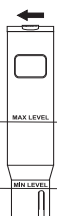
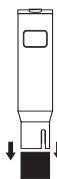
Ultra Pure Water Tester



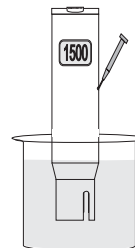
HANNA
instruments
Manufacturers since 1978

OPERATION:

- Remove the protective cap.
- Rinse the tester with distilled water, up to the maximum immersion level.
- Turn the **UPW** on.
- Immerse it in the solution to be tested without exceeding the maximum immersion level.
- Stir gently and wait for the reading to stabilize.
- The reading on display is directly expressed in $\mu\text{S}/\text{cm}$ unit.
- To translate the reading into MegaOhm, refer to the following table.

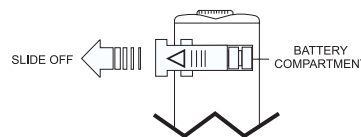


display shows "1.500".



BEPS AND BATTERY REPLACEMENT:

UPW is supplied with BEPS (Battery Error Preventing System) which avoids any erroneous reading due to low batteries level, by switching the meter off. To replace the batteries, slide off the battery compartment cover and replace all four 1.5V batteries while paying attention to their polarity.



Batteries should only be replaced in a nonhazardous area using the battery type specified in this instruction sheet.

ONE YEAR WARRANTY AND SERVICEABLE:

Covered by **one year** warranty against defects in workmanship and materials, this tester is now completely serviceable. Contact your dealer for further information.

The **UPW** is in compliance with the CE directives.

CALIBRATION:

All **UPW** testers are factory-calibrated with freshly prepared low-conductivity solutions. Infact, due to their high instability, calibration solutions in the UPW range (below $2 \mu\text{S}/\text{cm}$) can not be supplied with the meter.

However, if your meter needs to be recalibrated, use a $1.500 \mu\text{S}/\text{cm}$ solution prepared by a qualified laboratory and keep it airtight.

- Rinse the electrode with some of the calibration solution.
- Allow the reading to stabilize and with a small screwdriver turn the calibration trimmer until the

Visit our Internet Home Page:
<http://www.hannacan.com>

UPW

HI98309

Ultra Pure Water Tester

SPECIFICATIONS:

RANGE	0.000 □ 1.999 $\mu\text{S}/\text{cm}$
RESOLUTION	0.001 $\mu\text{S}/\text{cm}$
ACCURACY (@20°C/68°F)	±2% f.s.
TYPICAL EMC DEVIATION	±0.5% f.s.
ENVIRONMENT	0 to 50 □ C (32 to 122 □ F); 95% RH not condensing
BATTERY TYPE	4 x 1.5V alkaline (included)
BATTERY LIFE	approx. 120 hours of continuous use
DIMENSIONS	175 x 41 x 23 mm (7.9 x 1.8 x 1")
WEIGHT	78 g (2.7 oz.)

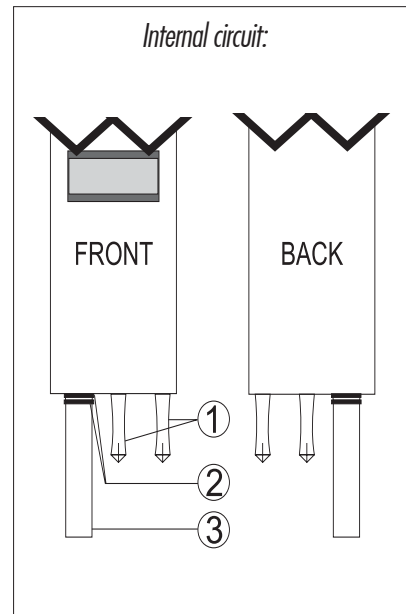
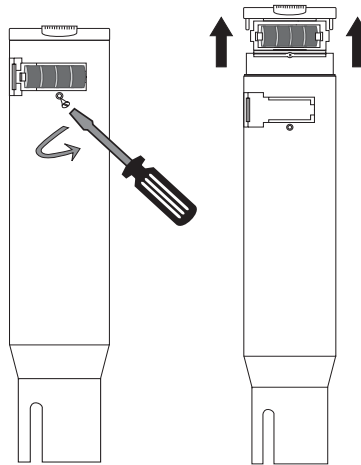
ACCESSORIES:

HI 73309	Spare electrode
HI 731326	Calibration screwdriver (20 pcs)

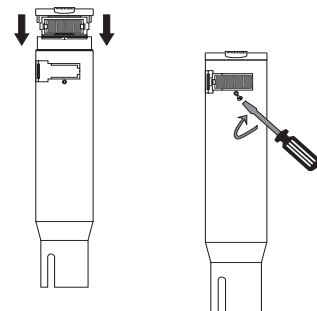
ELECTRODE REPLACEMENT:

The electrode is built-in inside the plastic casing and can be easily replaced in the following way:

- Slide off the battery cover.
- Remove the screw on the back of the **UPW** located below the battery compartment and slide off the whole internal part of the tester.



- Fasten the screw on the back, below the battery compartment.



- Replace the built-in electrode with a new HI73309.

- Before reinserting the internal circuit into the new plastic casing, make sure the O-rings (2) of the metal tube (3) are properly seated (see drawing).

To avoid bending the connections to the conductivity sensors (1), do not apply excessive force while inserting the circuit. In case of any problem, reslide and reinsert it.

- Reinsert the battery compartment cover.

HANNA
instruments