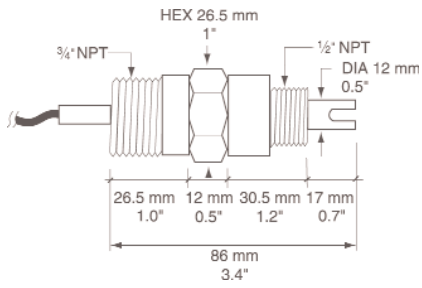
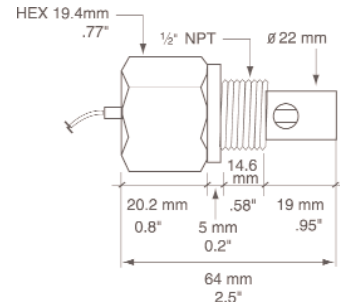


Mini-controllers BL series - Electrodes

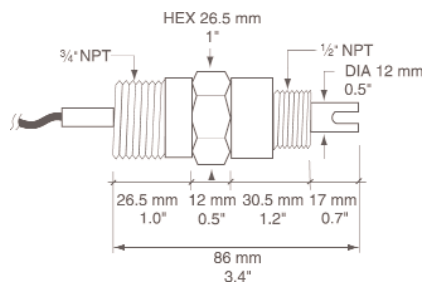
HI 1001 Dimensions



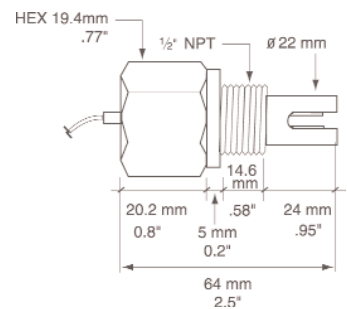
HI 3314 Dimensions



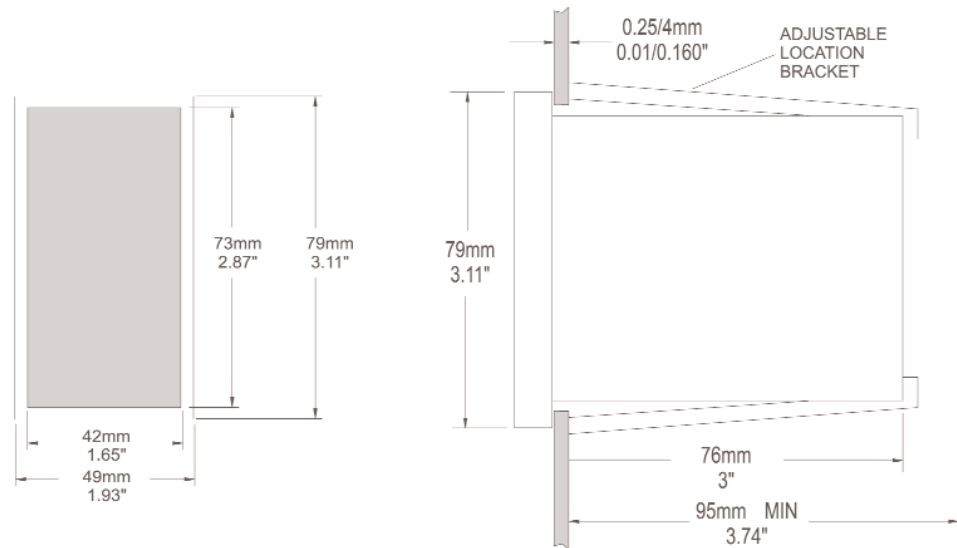
HI 2001 Dimensions



HI 7632-00 and HI 7634-00 Dimensions



Mini-controllers BL series Dimensions

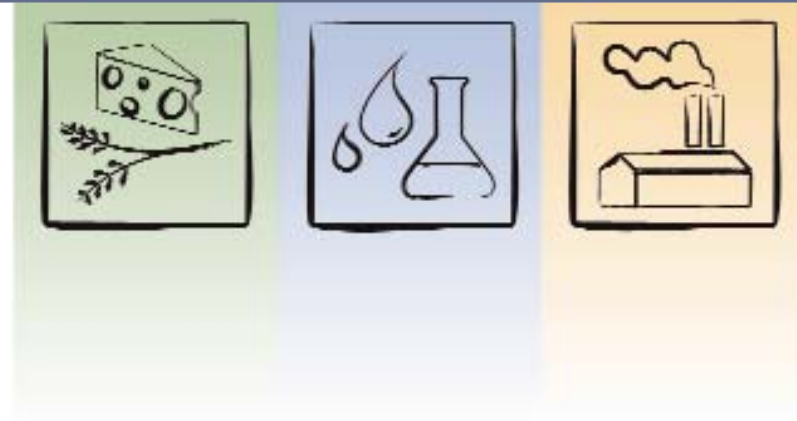


1-800-842-6629
www.hannacan.com

P-CBLuminEN



1-800-842-6629
www.hannacan.com



Mini-controllers BL series



Mini-controllers BL series

Traditionally, process monitoring and control has required considerable investment in system design, equipment, maintenance and training. With the introduction of the BL Series Mini-Controllers, Hanna provides a solution for industries that require reliable, efficient and affordable process monitoring and control.

The new BL Series Mini-Controllers are easy to use, durable and provide precise monitoring and control of pH, ORP, TDS, EC, and Resistivity.

Each Mini-Controller is 8 x 5 cm (3 x 2") in size and weighs less than 9 oz. The compact size and simplicity of design allows for easy installation and integration into almost any existing system.

Each model is a single set point controller designed to control the operation of a pump, valve or mechanical device for dosing, filling and emptying tanks and rerouting flow.

The control action of each Mini-Controller can be disabled, set to automatic or manually operated directly from the front panel.

A selectable "Overtime" overdosing system can deactivate a valve, pump, or other connected device if activation continues for more than the set time, which is adjustable from 5 up to 30 minutes.



Specifications for All Models	
Overtime	Adjustable, typically from 5 to approx. 30 min.
Power Consumption	10 VA
Installation Category	II
Power supply:	External (fuse protected)
BL XXXXXX-0	12 VDC
BL XXXXXX-1	115/230 VAC (fuse protected); 50/60 Hz
Dimensions	79 x 49 x 95 mm (3.1 x 1.9 x 3.7")

Mini-controllers BL series - pH & ORP - EC - EC & TDS - TDS & Resistivity

Specifications pH & ORP mini-controllers	BL-981411-0/1	BL-931700-0/1	BL 982411-0/1	BL 932700-0/1
Range	0.0 to 14.0 pH	0.00 to 14.00 pH	0 to 1000 mV	±1000 mV
Resolution	0.1 pH	0.01 pH	1 mV	1 mV
Accuracy (@20°C/68°F)	±0.2 pH	±0.02 pH	±5 mV	±5 mV
Typical EMC Deviation	±0.1 pH	±0.10 pH/±0.10 mA	±5 mV	±5 mV / ±0.10 mA
Calibration	Man., through CAL (offset) trimmer	Man., through offset & slope trimmers	Manual, through CAL trimmer	
Dosing Contact	Maximum 2A (fuse protected), 250 VAC, 30 VDC		Maximum 2A (fuse protected), 250 VAC, 30 VDC	
Dosing Selection	Acid or Alk, selectable on the back panel		Rdx or Oxd, selectable on the back panel	
Contact Open	=Acid dosage=Relay ON if Measure > Setpoint		=Reductant dosage=Relay ON if Measure > Setpoint	
Contact Close	=Alk dosage=Relay ON if Measure < Setpoint		=Oxidant dosage=Relay ON if Measure < Setpoint	
Setpoint	Adj., from 0 to 14 pH	-	Adj., from 0 to 1000 mV	Adj., from -1000 to 1000 mV
Recorder Output	-	4 to 20 mA, accuracy ±0.20 mA, 500 W maximum load	-	4 to 20 mA, accuracy ±0.20 mA, 500 W maximum load

Specifications EC mini-controllers	BL 983313-0/1	BL 983327-0/1	BL 983320-0/1	BL 983322-0/1
Range	0 to 1999 µS/cm	0.00 to 10.00 mS/cm	0.0 to 199.9 µS/cm	0.00 to 19.99 µS/cm
Resolution	1 µS/cm	0.01 mS/cm	0.1 µS/cm	0.01 µS/cm
Accuracy (@20°C/68°F)	±2% f.s.	±2% f.s.	±2% f.s.	±2% f.s.
Typical EMC Deviation	±2% f.s.	±2% f.s.	±2% f.s.	±2% f.s.
Probe (included)	HI 7634-00 EC/TDS probe	HI 7632-00 EC/TDS probe	HI 7634-00 EC/TDS probe	HI 7634-00 EC/TDS probe
Temperature Compensation	Automatic from 5 to 50°C (41 to 122°F); β=2%/°C		Automatic from 5 to 50°C (41 to 122°F); β=2%/°C	
Calibration	Manual, through CAL trimmer		Manual, through CAL trimmer	
Dosing Contact	Maximum 2A (fuse protected), 250 VAC, 30 VDC Contact close when measure > Setpoint		Maximum 2A (fuse protected), 250 VAC, 30 VDC Contact close when measure > Setpoint	
Setpoint	Adj., from 0 to 1999 µS/cm	Adj., from 0 to 10 mS/cm	Adj., from 0 to 199.9 µS/cm	Adj., from 0 to 19.99 µS/cm

Specifications EC & TDS mini-controllers	BL 983317-0/1	BL 983319-0/1	BL 983318-0/1	BL 983329-0/1
Range	0.00 to 10.00 mS/cm	0 to 1999 ppm	0.00 to 10.00 ppt	0 to 999 ppm
Resolution	0.01 mS/cm	1 ppm	0.01 ppt	1 ppm
Accuracy (@20°C/68°F)	±2% f.s.	±2% f.s.	±2% f.s.	±2% f.s.
Typical EMC Deviation	±2% f.s.	±2% f.s.	±2% f.s.	±2% f.s.
TDS Conversion Factor	-	0.65	0.5	0.5
Probe (included)	HI 7632-00 EC/TDS probe	HI 7634-00 EC/TDS probe	HI 7632-00 EC/TDS probe	HI 7634-00 EC/TDS probe
Temperature Compensation	Automatic from 5 to 50°C (41 to 122°F); β=2%/°C		Automatic from 5 to 50°C (41 to 122°F); β=2%/°C	
Calibration	Manual, through CAL trimmer		Manual, through CAL trimmer	
Dosing Contact	Maximum 2A (fuse protected), 250 VAC, 30 VDC Contact close when measure < Setpoint		Maximum 2A (fuse protected), 250 VAC, 30 VDC Contact close when measure > Setpoint	
Setpoint	Adjustable, from 0 to 10 mS/cm	Adjustable, from 0 to 1999 ppm	Adjustable, from 0 to 10 ppt	Adjustable, from 0 to 999 ppm

Specifications TDS & Resistivity mini-controllers	BL 983315-0/1	BL 983321-0/1	BL 983324-0/1	BL 983314-0/1
Range	0.0 to 199.9 ppm	0.00 to 19.99 ppm	0.0 to 49.9 ppm	0.00 to 19.90 MΩ/cm
Resolution	0.1 ppm	0.01 ppm	0.1 ppm	0.10 MΩ/cm
Accuracy (@20°C/68°F)	±2% f.s.	±2% f.s.	±2% f.s.	±2% f.s.
Typical EMC Deviation	±2% f.s.	±2% f.s.	±2% f.s.	±2% f.s.
TDS conversion factor	0.5	0.5	0.5	-
Probe (included)	HI 7634-00 EC/TDS probe	HI 7634-00 EC/TDS probe	HI 7634-00 EC/TDS probe	HI 3314 resistivity probe (incl.)
T° Compensation	Auto from 5 to 50°C (41 to 122°F); β=2%/°C		Auto + linear from 5 to 50°C (41 to 122°F)	
Temperature Coefficient	-	-	-	β=2.5, 3.5 and 4.5%/°C, user-selec.
Calibration	Manual, through CAL trimmer		Factory Calibrated	
Dosing Contact	Max 2A (fuse protected), 250 VAC, 30 VDC Contact close when measure > Setpoint		Max 2A (fuse protected), 250 VAC, 30 VDC Contact closed when measure < setpoint	
Setpoint	Adj. from 0 to 199.9 ppm	Adj., from 0 to 19.99 ppm	Adj., from 0 to 49.9 ppm	Adj., from 0 to 19.90 MΩ/cm